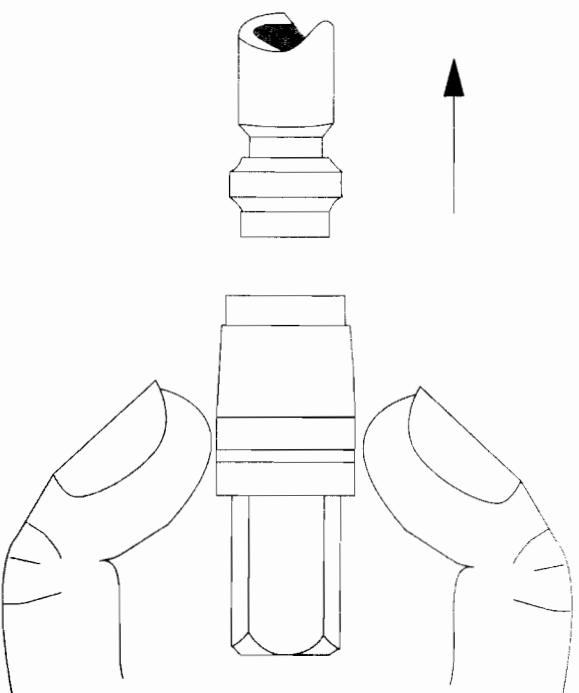


## OPERATING INSTRUCTIONS FOR THE VALVE

1. The valve may be disconnected by sliding the brass sleeve backwards.
2. Connection is re-established by pushing the hose end into the valve without moving the sliding brass sleeve.



Approximate capacities of BS669 PT2 Caterhoses:

NB 1/2"	75 000 BTU Pressure drop 0.58mbar. @ 1.3m <sup>3</sup> /h minimum
NB 3/4"	180 000 BTU Pressure drop 0.58mbar. @ 3.0m <sup>3</sup> /h minimum
NB 1"	290 000 BTU Pressure drop 0.58mbar. @ 5.0m <sup>3</sup> /h minimum

Assuming district gas CV 38.43 MJ/m<sup>3</sup> reference gas specific gravity 0.6.  
Determined under the conditions as specified in BS 669 PT2:1997.  
BTU's depends on input pressure and flow.

### **ARNOLD (HOSE) LIMITED**

**2 Kothershorpe Avenue, Northampton NN4 8JH**

**sales@arnoldhose.co.uk**

**Tel 01604 706570 Fax 01604 661170**

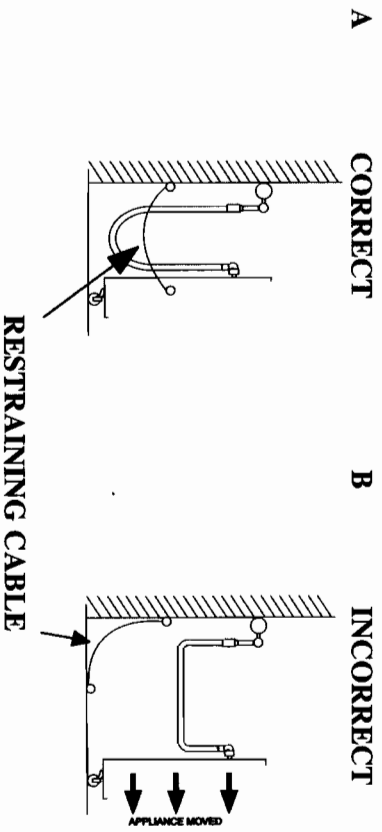
# **ARNOLD (HOSE) LIMITED**

## CATERHOSE INSTALLATION GUIDE AND OPERATING INSTRUCTIONS

This leaflet should be given to the user who shall ensure point 8 on page 2 is followed after installation and inspection.

Caterhose is designed to convey gas from the supply to the appliance via a shut off valve at pressures not exceeding 50 mbar. Approved to BS 669 part 2 it shall be fitted particularly when the appliance is mobile. It can be used for first, second and third family gases. BS 6173 clause 6.6 gives the relevant details about the fitting of the hose and restraint, and in addition to these instructions please observe the following.

1. Installation shall be in accordance with BS 6173: 1990.
2. Installation shall be carried out by a Corghi registered engineer.
3. Ensure that the supply and all appliance control valves are turned off.
4. The gas outlet to which the connection is to be made shall be located in the same room as the appliance and the flexible connection must not be concealed within or run through any wall or partition. An accessible manually operated shut off valve shall be installed in accordance with BS 6173.
5. Caterhose shall not be installed in such a manner that makes contact with any surface greater than 80 C. Flexible gas connections shall not come into contact with sharp edges or wiring.
6. See diagrams on page 3 for correct and incorrect installation layouts. Caterhose shall not be pinched twisted subjected to vibration, excessive flexing or taut when installed. It shall form a gentle loop after installation.
7. Gas flow shall be from valve end to male end into the appliance.
8. Restraints shall be fitted to prevent movement of the appliance whilst the hose is connected. Restraints shall be sufficiently anchored, not connected to supply pipes and inspected as part of the maintenance routine.
  - a), Before moving the appliance, for example, for cleaning purposes, the caterhose shall be disconnected before the restraint.
  - b), After cleaning, reconnect the restraint first before the Caterhose. This will prevent damage to the Caterhose.



**DO NOT MOVE APPLIANCE WITH RESTRAINT DISCONNECTED  
WITH HOSE STILL ATTACHED**

9. On completion of installation a leak test shall be carried out. CAUTION, a naked flame must not be used for this purpose! Leak test solutions may cause corrosion therefore thorough rinsing with water after test is required.

Regular site inspection and maintenance is recommended and shall be carried out at regular intervals. Inspection shall be carried out on the restraining device, its anchoring points, the caterhose and its installation layout for damage and wear and tear.

**EXAMPLES OF CORRECT AND INCORRECT INSTALLATION**

